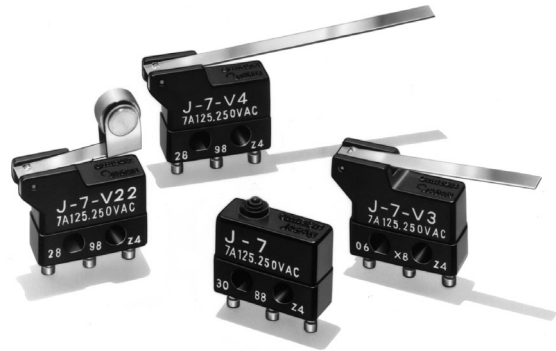


Subminiature Models Capable of Large-capacity Loads

- Snap-action switch allows large-capacity switching (7 A at 250 VAC) in spite of its small size (8.9 × 12.7 × 5.1 mm).
- Particularly suitable as control switches for applications where there are restrictions on installation space and weight.
- Easy positioning, as the pin plunger is located in alignment with the center line of one of the two mounting holes.



Ordering Information

Model Number Legend

J-7 -

1 2 3

1. Ratings

7: 7 A at 250 VAC

2. Contact Material

None: Gold-plated silver

Y: Silver

3. Actuator

None: Pin plunger

V: Short hinge lever




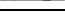

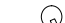
V3: Hinge lever

V4: Long hinge lever

V22: Short hinge roller lever

V2: Hinge roller lever

List of Models

Actuator	Model
Pin plunger 	J-7
Short hinge lever 	J-7-V
Hinge lever 	J-7-V3
Long hinge lever 	J-7-V4
Short hinge roller lever 	J-7-V22
Hinge roller lever 	J-7-V2

Note: Externally mounted levers JAL and JAL2 are sold separately. Refer to page 208.

Specifications

■ Ratings

Rated voltage	Resistive load
125 VAC	7 A
250 VAC	7 A

Note: The ratings values apply under the following test conditions:
 Ambient temperature: 20±2°C
 Ambient humidity: 65±5%
 Operating frequency: 30 operations/min

■ Switching Capacity per Load (Reference Values)

Voltage	Non-inductive load				Inductive load			
	Resistive load		Lamp load		Inductive load		Motor load	
	NC	NO	NC	NO	NC	NO	NC	NO
125 VAC	7 A		1.5 A	0.7 A	4 A		2.5 A	1.3 A
250 VAC	7 A		1.5 A	0.7 A	4 A		2.5 A	1.3 A
8 VDC	7 A		1.5 A	0.7 A	3 A		2.5 A	1.3 A
14 VDC	7 A		1.5 A	0.7 A	3 A		2.5 A	1.3 A
30 VDC	5 A		1.5 A	0.7 A	3 A		2.5 A	1.3 A
125 VDC	0.4 A		0.4 A	0.4 A	0.03 A		0.03 A	0.03 A
250 VDC	0.2 A		0.2 A	0.2 A	0.02 A		0.02 A	0.02 A

Note: 1. The above values are for the steady-state current.
 2. Inductive load has a power factor of 0.4 min. (AC) and a time constant of 7 ms max. (DC).
 3. Lamp load has an inrush current of 10 times the steady-state current.
 4. Motor load has an inrush current of 6 times the steady-state current.

■ Characteristics

Operating speed	0.05 mm to 1 m/s (pin plunger models)
Operating frequency	Mechanical: 400 operations/min max. Electrical: 30 operations/min max.
Insulation resistance	100 MΩ min. (at 500 VDC)
Contact resistance (initial value)	15 mΩ max.
Dielectric strength	600 VAC, 50/60 Hz for 1 min between terminals of the same polarity 1,500 VAC, 50/60 Hz for 1 min between each terminal and non-current-carrying metal part and between current-carrying metal part and ground.
Vibration resistance (see note 2)	Malfunction: 10 to 55 Hz, 1.5-mm double amplitude
Shock resistance (see note 2, 3)	Destruction: 1,000 m/s ² {approx. 100G} max. Malfunction: 200 m/s ² {approx. 20G} max. (pin plunger models)
Durability (see note 4)	Mechanical: 10,000,000 operations min. (60 operations/min) Electrical: 50,000 operations min. (30 operations/min)
Degree of protection	IEC IP40
Degree of protection against electric shock	Class I
Proof tracking index (PTI)	175
Ambient operating temperature	-10°C to 80°C (at ambient humidity of 60% max.) (with no icing)
Ambient operating humidity	85% max. (for 5°C to 35°C)
Weight	Approx. 1 g (pin plunger models)

Note: 1. The data given above are initial values.
 2. Malfunction: 1 ms max.
 3. For the pin plunger models, the values are at the free position and total travel position. For the lever models, they are at the total travel position.
 4. For testing conditions, consult your OMRON sales representative.

■ Approved Standards

Consult your OMRON sales representative for specific models with standard approvals.

**UL508 (File No. E41515)/
CSA C22.2 No. 55 (File No. LR21642)**

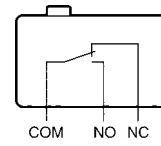
Rated voltage	J-7
125 VAC	7 A
250 VAC	

■ Contact Specifications

Contact	Specification	Rivet
	Material	Silver plated Gold plated
	Gap (standard value)	0.35 mm
	Inrush current	NC NO
Minimum applicable load		30 mA at 5 VDC

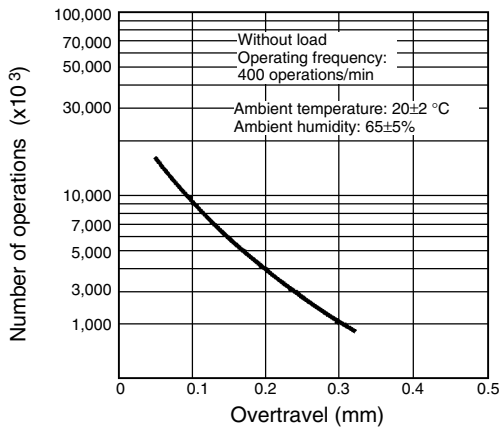
■ Contact Form

SPDT

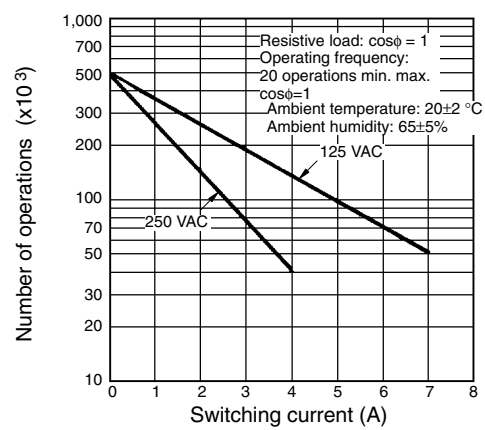


Engineering Data (Reference Values)

Mechanical Durability



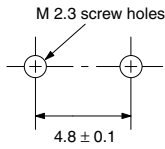
Electrical Durability



Dimensions

■ Mounting Holes

Note: All units are in millimeters unless otherwise indicated.

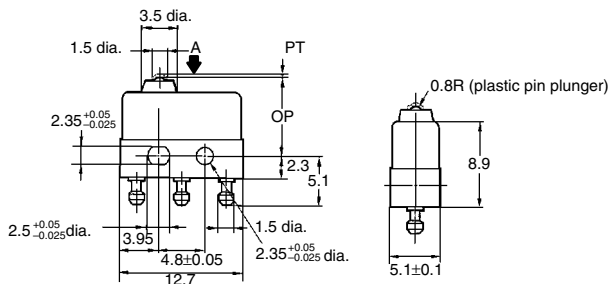
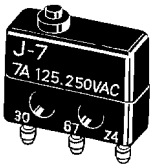


■ Dimensions and Operating Characteristics

- Note:**
1. All units are in millimeters unless otherwise indicated.
 2. Unless otherwise specified, a tolerance of ±0.2 mm applies to all dimensions.
 3. The operating characteristics are for operation in the A direction (▼).

Pin Plunger Models

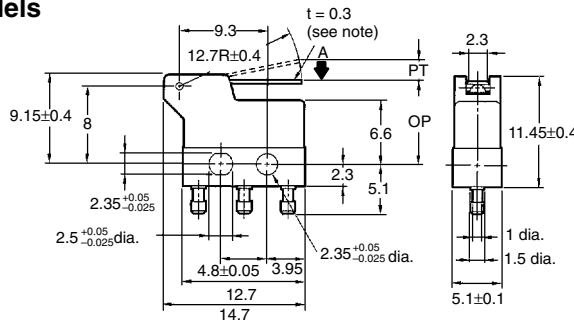
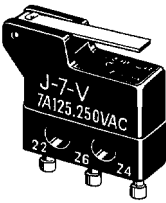
J-7



Model	J-7
OF max.	1.37 N {140 gf}
RF min.	0.27 N {28 gf}
PT max.	0.6 mm
OT min.	0.1 mm
MD max.	0.15 mm
OP	8.1±0.3 mm

Short Hinge Lever Models

J-7-V

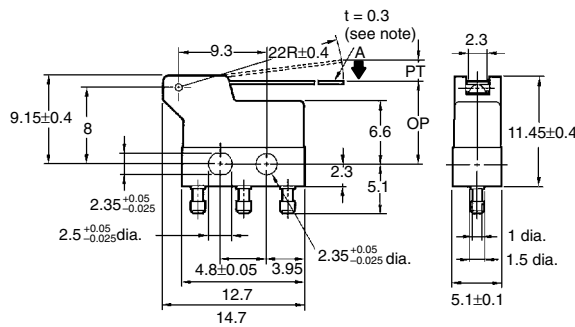
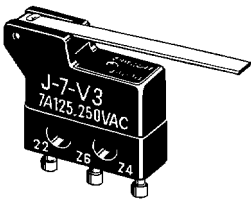


Model	J-7-V
OF max.	0.49 N {50 gf}
RF min.	0.08 N {9 gf}
PT max.	1.7 mm
OT min.	0.35 mm
MD max.	0.5 mm
OP	8.3±1.2 mm

Note: Stainless-steel spring lever

Hinge Lever Models

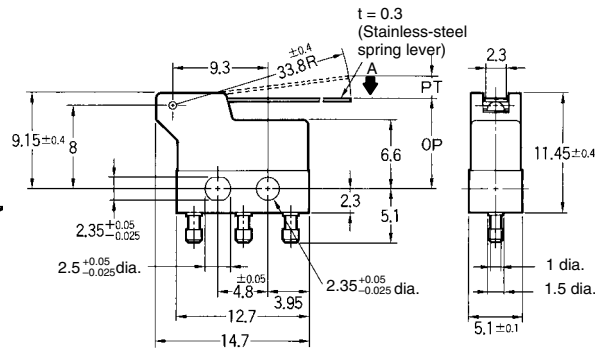
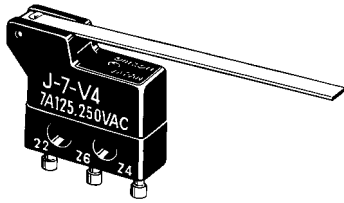
J-7-V3



Model	J-7-V3
OF max.	0.29 N {30 gf}
RF min.	0.04 N {5 gf}
PT max.	2.9 mm
OT min.	0.5 mm
MD max.	0.7 mm
OP	8.3±1.9 mm

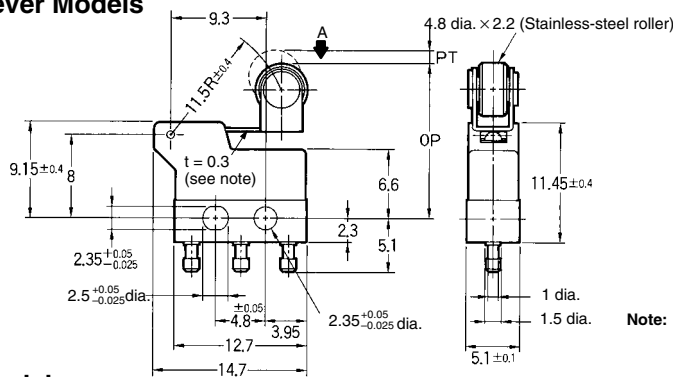
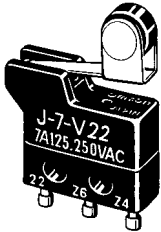
Note: Stainless-steel spring lever

Long Hinge Lever Models
J-7-V4



Model	J-7-V4
OF max.	0.20 N {20 gf}
RF min.	0.02 N {3 gf}
PT max.	4.5 mm
OT min.	0.8 mm
MD max.	1.2 mm
OP	8.3±2.9 mm

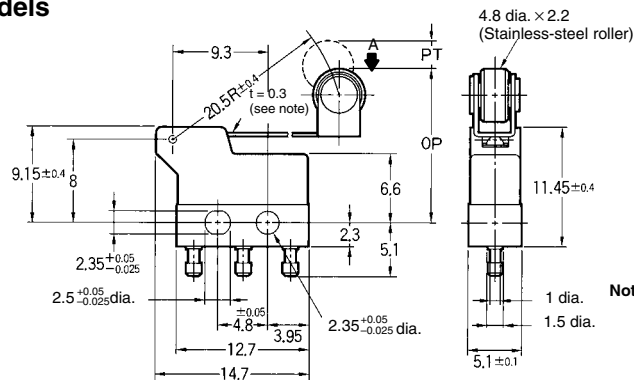
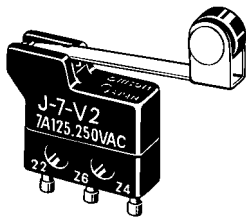
Short Hinge Roller Lever Models
J-7-V22



Model	J-7-V22
OF max.	0.54 N {55 gf}
RF min.	0.04 N {5 gf}
PT max.	1.6 mm
OT min.	0.25 mm
MD max.	0.4 mm
OP	14.7±1 mm

Note: Stainless-steel spring lever

Hinge Roller Lever Models
J-7-V2



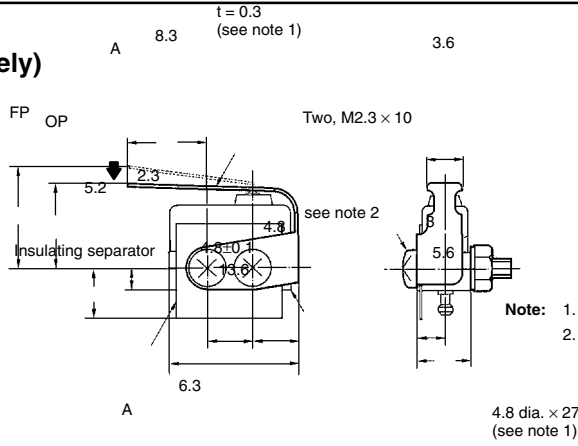
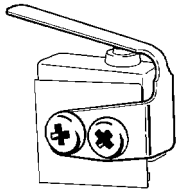
Model	J-7-V2
OF max.	0.324 N {33 gf}
RF min.	0.02 N {3 gf}
PT max.	2.7 mm
OT min.	0.45 mm
MD max.	0.7 mm
OP	14.7±1.9 mm

Note: Stainless-steel spring lever

Leaf Spring

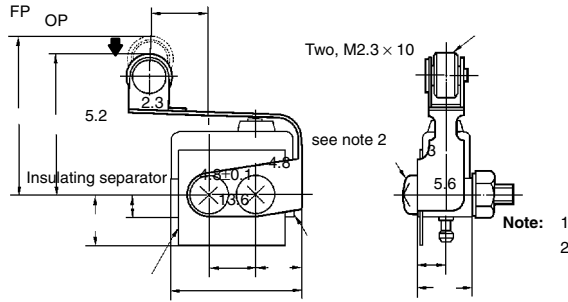
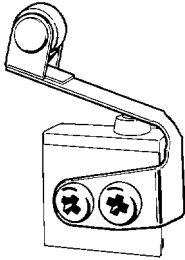
Accessories (Sold Separately)

JAL2



Note: 1. Stainless-steel spring lever
2. J-7 Subminiature Base Switch

Model	JAL
OF max.	1.95 N {199 gf}
RF min.	0.54 N {56 gf}
PT max.	5.2 mm (reference value)
OT min.	0.3 mm
MD max.	0.8 mm
FP max.	13.1 mm
OP	8.7±0.8 mm



Note: 1. Stainless-steel spring lever
2. J-7 Subminiature Base Switch

Model	JAL2
OF max.	1.95 N {199 gf}
RF min.	0.54 N {56 gf}
PT max.	3.6 mm (reference value)
OT min.	0.3 mm
MD max.	0.8 mm
FP max.	10.5 mm
OP	15.1±0.8 mm

Precautions

Refer to pages 26 to 31 for common precautions.

■ Correct Use

Mounting

Use two M2.3 screws with plain washers or spring washers to securely mount the Switch. Tighten the screws to a torque of 0.19 to 0.29 N • m {2 to 3 kgf • cm}.

Soldering

To solder the lead to the terminal, apply a soldering iron rated at 30 W max. quickly (within 3 seconds) with the actuator at the free position.

Applying a soldering iron for too long a time or using one that is rated at more than 30 W may degrade the Switch characteristics.

ALL DIMENSIONS SHOWN ARE IN MILLIMETERS.
To convert millimeters into inches, multiply by 0.03937. To convert grams into ounces, multiply by 0.03527

Certain Terms and Conditions of Sale

1. **Offer: Acceptance.** These terms and conditions (these "Terms") are deemed part of all catalogs, manuals or other documents, whether electronic or in writing, relating to the sale of goods or services (collectively, the "Goods") by Omron Electronic Components LLC and its subsidiary companies ("Seller"). Seller hereby objects to any terms or conditions proposed in Buyer's purchase order or other documents which are inconsistent with, or in addition to, these Terms. Please contact your Omron representative to confirm any additional terms for sales from your Omron company.
2. **Prices.** All prices stated are current, subject to change without notice by Seller. Buyer agrees to pay the price in effect at time of shipment.
3. **Discounts.** Cash discounts, if any, will apply only on the net amount of invoices sent to Buyer after deducting transportation charges, taxes and duties, and will be allowed only if (i) the invoice is paid according to Seller's payment terms and (ii) Buyer has no past due amounts owing to Seller.
4. **Orders.** Seller will accept no order less than \$200 net billing.
5. **Governmental Approvals.** Buyer shall be responsible for, and shall bear all costs involved in, obtaining any government approvals required for the importation or sale of the Goods.
6. **Taxes.** All taxes, duties and other governmental charges (other than general real property and income taxes), including any interest or penalties thereon, imposed directly or indirectly on Seller or required to be collected directly or indirectly by Seller for the manufacture, production, sale, delivery, importation, consumption or use of the Goods sold hereunder (including customs duties and sales, excise, use, turnover and license taxes) shall be charged to and remitted by Buyer to Seller.
7. **Financial.** If the financial position of Buyer at any time becomes unsatisfactory to Seller, Seller reserves the right to stop shipments or require satisfactory security or payment in advance. If Buyer fails to make payment or otherwise comply with these Terms or any related agreement, Seller may (without liability and in addition to other remedies) cancel any unshipped portion of Goods sold hereunder and stop any Goods in transit until Buyer pays all amounts, including amounts payable hereunder, whether or not then due, which are owing to it by Buyer. Buyer shall in any event remain liable for all unpaid accounts.
8. **Cancellation: Etc.** Orders are not subject to rescheduling or cancellation unless Buyer indemnifies Seller fully against all costs or expenses arising in connection therewith.
9. **Force Majeure.** Seller shall not be liable for any delay or failure in delivery resulting from causes beyond its control, including earthquakes, fires, floods, strikes or other labor disputes, shortage of labor or materials, accidents to machinery, acts of sabotage, riots, delay in or lack of transportation or the requirements of any government authority.
10. **Shipping: Delivery.** Unless otherwise expressly agreed in writing by Seller:
 - a. Shipments shall be by a carrier selected by Seller;
 - b. Such carrier shall act as the agent of Buyer and delivery to such carrier shall constitute delivery to Buyer;
 - c. All sales and shipments of Goods shall be FOB shipping point (unless otherwise stated in writing by Seller), at which point title to and all risk of loss of the Goods shall pass from Seller to Buyer, provided that Seller shall retain a security interest in the Goods until the full purchase price is paid by Buyer;
 - d. Delivery and shipping dates are estimates only.
 - e. Seller will package Goods as it deems proper for protection against normal handling and extra charges apply to special conditions.
11. **Claims.** Any claim by Buyer against Seller for shortage or damage to the Goods occurring before delivery to the carrier must be presented in writing to Seller within 30 days of receipt of shipment and include the original transportation bill signed by the carrier noting that the carrier received the Goods from Seller in the condition claimed.
12. **Warranties.** (a) **Exclusive Warranty.** Seller's exclusive warranty is that the Goods will be free from defects in materials and workmanship for a period of twelve months from the date of sale by Seller (or such other period expressed in writing by Seller). Seller disclaims all other warranties, express or implied. (b) **Limitations.** SELLER MAKES NO WARRANTY OR REPRESENTATION, EXPRESS OR IMPLIED, ABOUT NON-INFRINGEMENT, MERCHANTABILITY OR FITNESS FOR A PARTICULAR PURPOSE OF THE GOODS. BUYER ACKNOWLEDGES THAT IT ALONE HAS DETERMINED THAT THE GOODS WILL SUITABLY MEET THE REQUIREMENTS OF THEIR INTENDED USE. Seller further disclaims all warranties and responsibility of any type for claims or expenses based on infringement by the Goods or otherwise of any intellectual property right. (c) **Buyer Remedy.** Seller's sole obligation hereunder shall be to replace (in the form originally shipped with Buyer responsible for labor charges for removal or replacement thereof) the non-complying Good or, at Seller's election, to repay or credit Buyer an amount equal to the purchase price of the Good; provided that in no event shall Seller be responsible for warranty, repair, indemnity or any other claims or expenses regarding the Goods unless Seller's analysis confirms that the Goods were properly handled, stored, installed and maintained and not subject to contamination, abuse, misuse or inappropriate modification. Return of any goods by Buyer must be approved in writing by Seller before shipment. Seller shall not be liable for the suitability or unsuitability or the results from the use of Goods in combination with any electrical or electronic components, circuits, system assemblies or any other materials or substances or environments. Any advice, recommendations or information given orally or in writing, are not to be construed as an amendment or addition to the above warranty. (d) **Damage Limits: Etc.** SELLER SHALL NOT BE LIABLE FOR SPECIAL, INDIRECT OR CONSEQUENTIAL DAMAGES, LOSS OF PROFITS OR PRODUCTION OR COMMERCIAL LOSS IN ANY WAY CONNECTED WITH THE GOODS, WHETHER SUCH CLAIM IS BASED IN CONTRACT, WARRANTY, NEGLIGENCE OR STRICT LIABILITY. Further, in no event shall liability of Seller exceed the individual price of the Good on which liability is asserted. (e) **Indemnities.** Buyer shall indemnify and hold harmless Seller, its affiliates and its employees from and against all liabilities, losses, claims, costs and expenses (including attorney's fees and expenses) related to any claim, investigation, litigation or proceeding (whether or not Seller is a party) which arises or is alleged to arise from Buyer's acts or omissions under these Terms or in any way with respect to the Goods. Without limiting the foregoing, Buyer (at its own expense) shall indemnify and hold harmless Seller and defend or settle any action brought against Seller to the extent that it is based on a claim that any Good made to Buyer specifications infringed intellectual property rights of another party. (f) **Property: Confidentiality.** The intellectual property embodied in the Goods is the exclusive property of Seller and its affiliates and Buyer shall not attempt to duplicate it in any way without the written permission of Seller. Notwithstanding any charges to Buyer for engineering or tooling, all engineering and tooling shall remain the exclusive property of Seller. All information and materials supplied by Seller to Buyer relating to the Goods are confidential and proprietary, and Buyer shall limit distribution thereof to its trusted employees and strictly prevent disclosure to any third party. (g) **Miscellaneous.** (a) **Waiver.** No failure or delay by Seller in exercising any right and no course of dealing between Buyer and Seller shall operate as a waiver of rights by Seller. (b) **Assignment.** Buyer may not assign its rights hereunder without Seller's written consent. (c) **Amendment.** These Terms constitute the entire agreement between Buyer and Seller relating to the Goods, and no provision may be changed or waived unless in writing signed by the parties. (d) **Severability.** If any provision hereof is rendered ineffective or invalid, such provision shall not invalidate any other provision. (e) **Setoff.** Buyer shall have no right to set off any amounts against the amount owing in respect of this invoice. (f) As used herein, "including" means "including without limitation".

Certain Precautions on Specifications and Use

1. **Suitability of Use.** Seller shall not be responsible for conformity with any standards, codes or regulations which apply to the combination of the Good in the Buyer's application or use of the Good. At Buyer's request, Seller will provide applicable third party certification documents identifying ratings and limitations of use which apply to the Good. This information by itself is not sufficient for a complete determination of the suitability of the Good in combination with the end product, machine, system, or other application or use. The following are some examples of applications for which particular attention must be given. This is not intended to be an exhaustive list of all possible uses of this Good, nor is it intended to imply that the uses listed may be suitable for this Good:
 - (i) Outdoor use, uses involving potential chemical contamination or electrical interference, or conditions or uses not described in this document.
 - (ii) Energy control systems, combustion systems, railroad systems, aviation systems, medical equipment, amusement machines, vehicles, safety equipment, and installations subject to separate industry or government regulations.
 - (iii) Systems, machines and equipment that could present a risk to life or property. Please know and observe all prohibitions of use applicable to this Good.
2. **Programmable Products.** Seller shall not be responsible for the user's programming of a programmable Good, or any consequence thereof.
3. **Performance Data.** Performance data given in this catalog is provided as a guide for the user in determining suitability and does not constitute a warranty. It may represent the result of Seller's test conditions, and the user must correlate it to actual application requirements. Actual performance is subject to the Seller's Warranty and Limitations of Liability.
4. **Change in Specifications.** Product specifications and accessories may be changed at any time based on improvements and other reasons. It is our practice to change part numbers when published ratings or features are changed or when significant construction changes are made. However, some specifications of the Good may be changed without any notice. When in doubt, special part numbers may be assigned to fix or establish key specifications for your application. Please consult with your Seller's representative at any time to confirm actual specifications of purchased Good.
5. **Errors and Omissions.** The information in this catalog has been carefully checked and is believed to be accurate; however, no responsibility is assumed for clerical, typographical or proofreading errors, or omissions.

NEVER USE THE PRODUCT FOR AN APPLICATION INVOLVING SERIOUS RISK TO LIFE OR PROPERTY WITHOUT ENSURING THAT THE SYSTEM AS A WHOLE HAS BEEN DESIGNED TO ADDRESS THE RISKS, AND THAT THE SELLER'S PRODUCT IS PROPERLY RATED AND INSTALLED FOR THE INTENDED USE WITHIN THE OVERALL EQUIPMENT OR SYSTEM.

Complete "Terms and Conditions of Sale" for product purchase and use are on Omron's website at www.omron.com/oei – under the "About Us" tab, in the Legal Matters section.

ALL DIMENSIONS SHOWN ARE IN MILLIMETERS.

To convert millimeters into inches, multiply by 0.03937. To convert grams into ounces, multiply by 0.03527.

OMRON[®]

**OMRON ELECTRONIC
COMPONENTS LLC**

55 E. Commerce Drive, Suite B
Schaumburg, IL 60173

847-882-2288

OMRON CANADA, INC.

885 Milner Avenue
Toronto, Ontario M1B 5V8

416-286-6465

OMRON ON-LINE

Global - <http://www.omron.com>
USA - <http://www.omron.com/oei>
Canada - <http://www.omron.ca>